



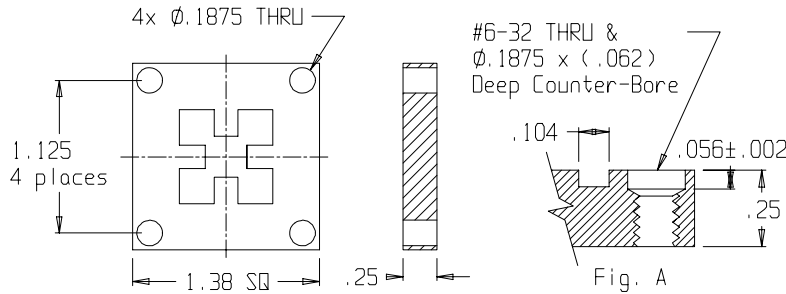
QUAD-RIDGE FLANGES

DATA SHEET No. T402

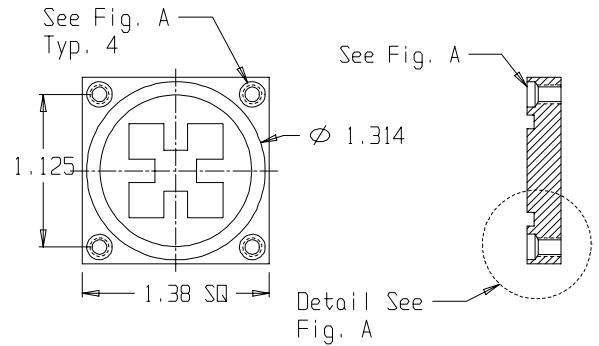
DESCRIPTION

The flanges detailed below are our standard quad-ridge design. They are available as cover or gasket-grooved for pressure-tight applications.

Q650-D28

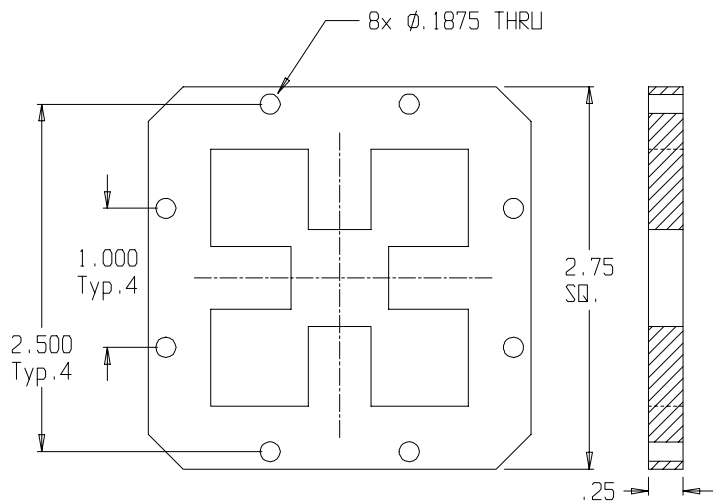


Cover Flange with Clearance Holes

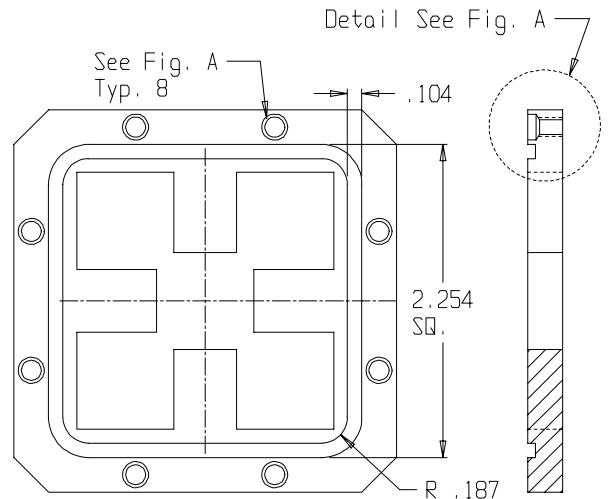


Gasket Flange with Counter Bore Tapped Holes

Q250-D30



Cover Flange with Clearance Holes



Gasket Flange with Counter Bore Tapped Holes

Data subject to change without notice



MICROWAVE ENGINEERING CORPORATION

1551 OSGOOD STREET, NORTH ANDOVER, MA 01845 • TEL (978) 685-2776 • FAX (978) 975-4363

Website: www.microwaveeng.com, Email: sales@microwaveeng.com