

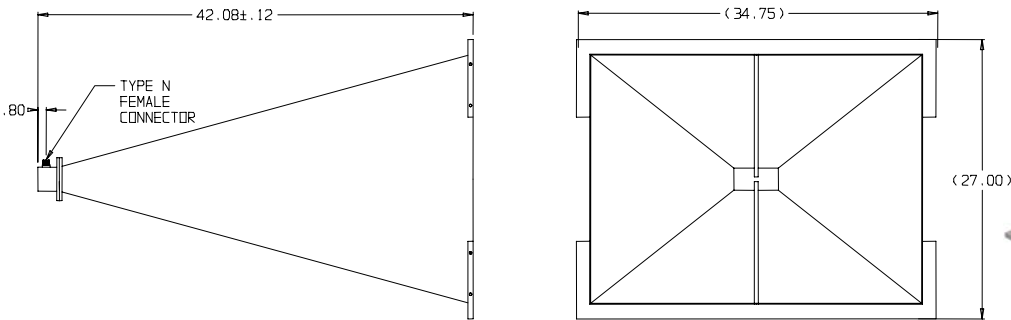


EMC HORN ANTENNAS

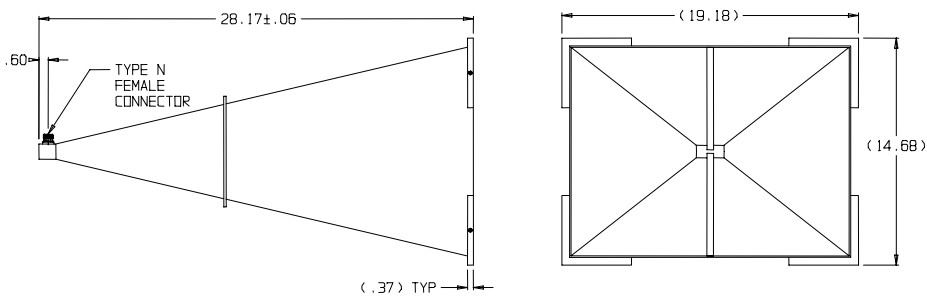
DATA SHEET
No. T167

DESCRIPTION

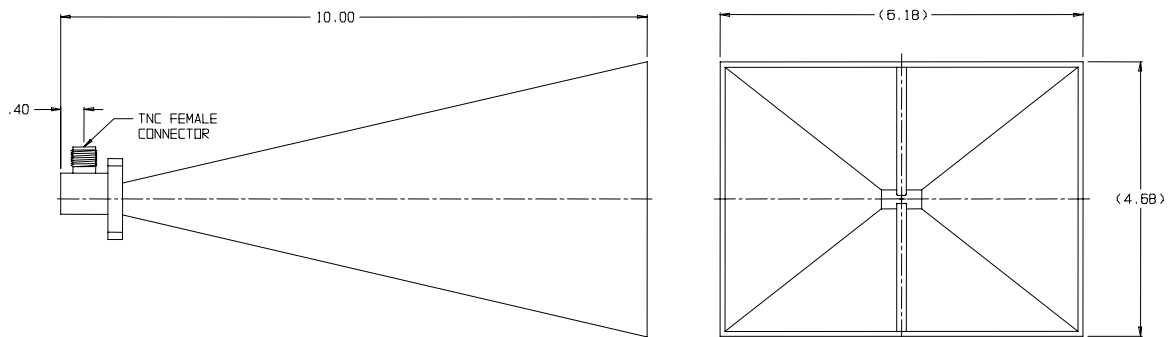
MEC has developed a series of multi-octave high-power broadband horn antennas which cover 1-18GHz frequency range. Model C390-362 operates from 1-2.5GHz, model C390-363 operates from 2.5 to 7.5 GHz, and model C390-364 operates from 7.5 to 18 GHz. All these horns are linearly polarized and customized to achieve certain minimum electric field strength (V/m) within a given volume space. These antennas, which offer low VSWR (1.5:1 max.), and high power handling capability (400 watts typical) are ideally suited for EMC testing.



C390-362



C390-363



C390-364