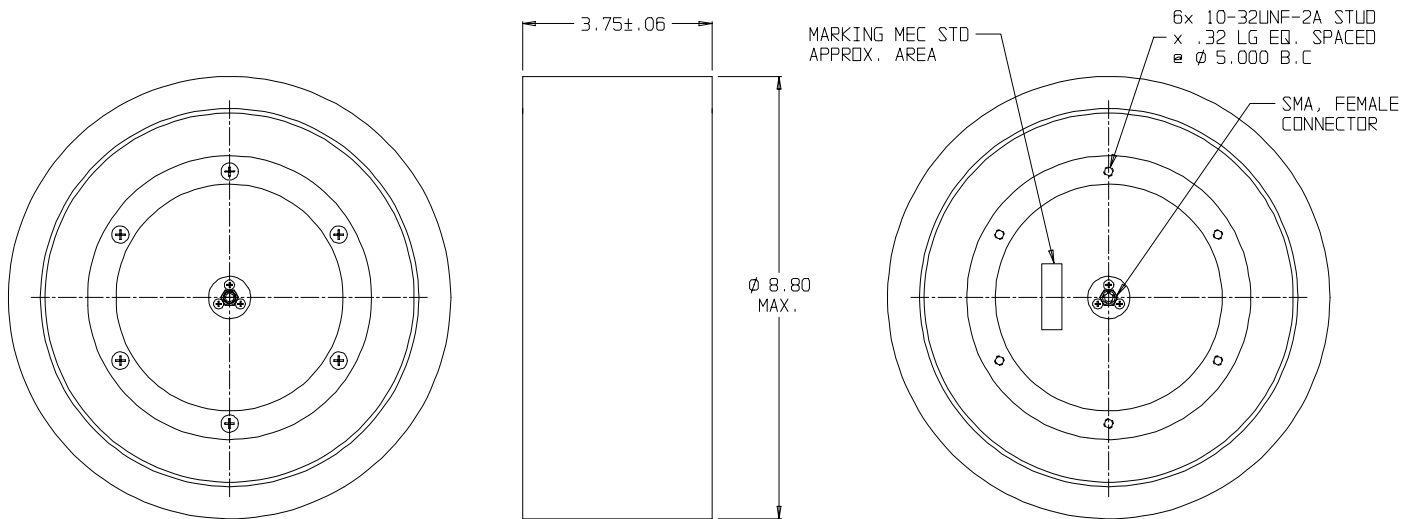




BICONICAL ANTENNAS (3065)

DATA
SHEET
No. T165



SPECIFICATIONS:

Model Number	3065
Frequency	2 – 6 GHz
Gain	0 to 5 dBiL
3-dB Beamwidth	30 ° MIN
CW Power	80 watts
Polarization	SLANT 45° LINEAR
Maximum VSWR	2:1
Input Connector	SMA
Weight (Max)	1.5 lb

Data subject to change without notice



MICROWAVE ENGINEERING CORPORATION
1551 OSGOOD STREET, NORTH ANDOVER, MA 01845 • TEL (978) 685-2776 • FAX (978) 975-4363
Website: www.microwaveeng.com, Email: sales@microwaveeng.com