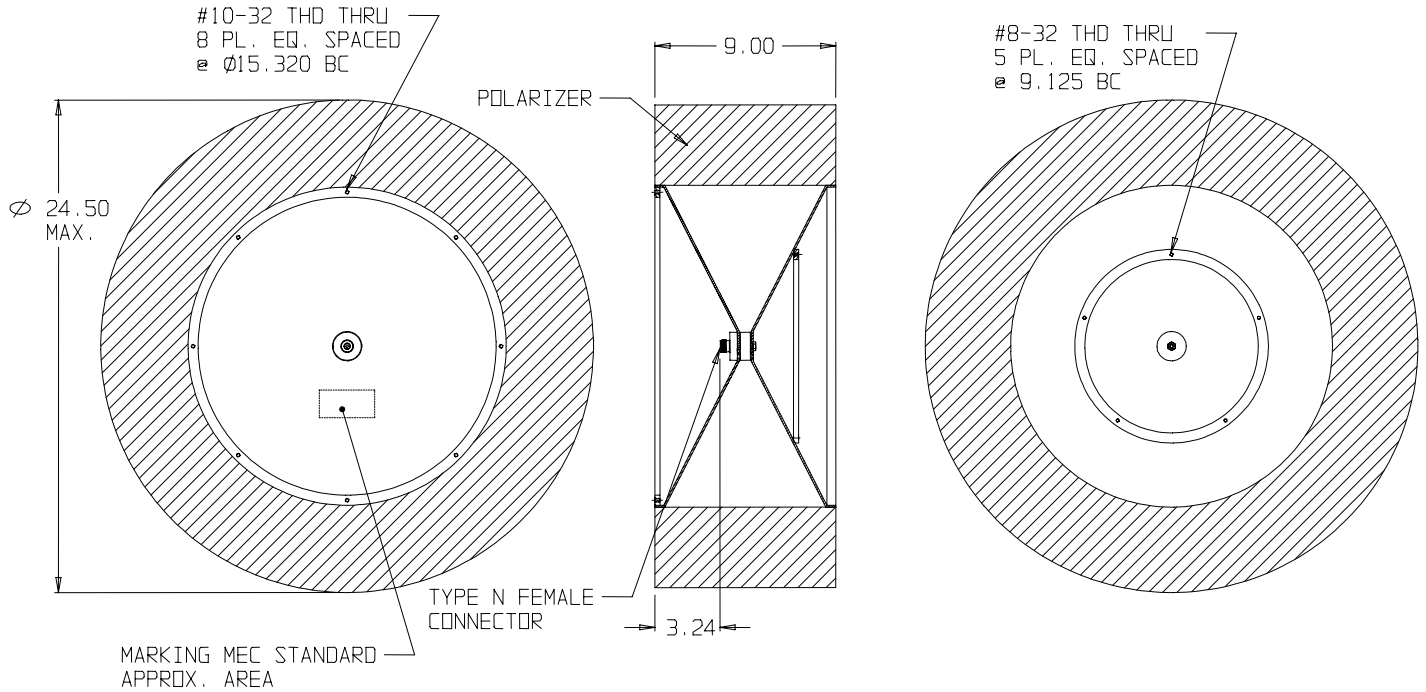




BICONICAL ANTENNAS (C390-306)

DATA SHEET
No. T164



SPECIFICATIONS:

| | |
|------------------------|-------------------------|
| Model Number | C390-306 |
| Frequency | .5 - 2 GHz |
| Gain | -2 to 5 dBiL |
| 3-dB Beamwidth | 30 ° MIN |
| CW Power | 50 watts |
| Polarization | SLANT 45° LINEAR |
| Maximum VSWR | 2:1 |
| Input Connector | TYPE N FEMALE |
| Weight (Max) | 8.5 lb |

