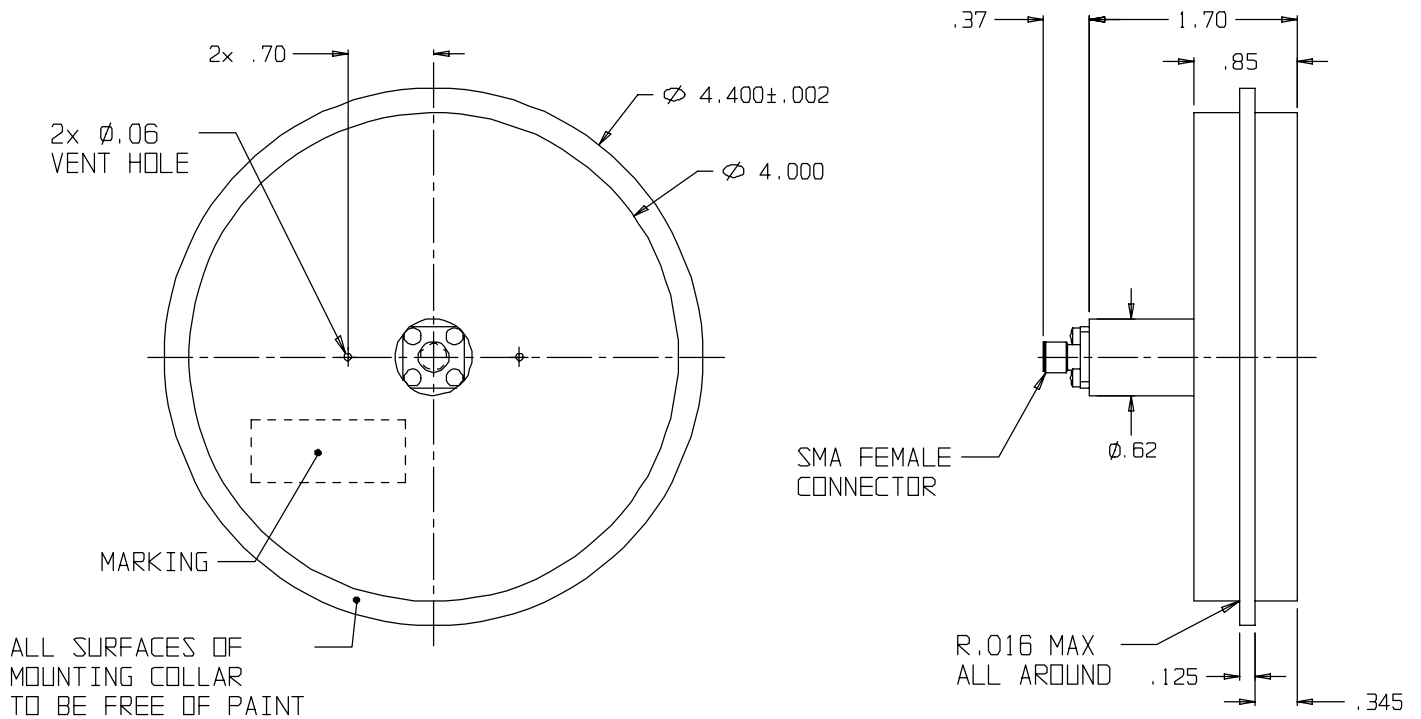




# AMPLITUDE AND PHASE MATCHED SPIRAL ANTENNA P/N C390-250

DATA  
SHEET  
No: T162



## SPECIFICATIONS

<b>Frequency</b>	1 to 12 GHz
<b>Gain</b>	-8 to 2 dBil
<b>3-dB Beamwidth</b>	80° nominal
<b>Axial Ratio</b>	1.5 dB at 0° 2.5 dB at $\pm 60^\circ$
<b>Polarization</b>	RCP
<b>Beam Squint</b>	<5°
<b>VSWR</b>	2:1 max.
<b>Amplitude Tracking (Set of 4)</b>	$\pm 1.5$ dB at 0° $\pm 2.5$ dB at $\pm 60^\circ$
<b>Phase Tracking (set of 4)</b>	$\pm 12^\circ$ max. from 0° to $\pm 60^\circ$
<b>Input Connector</b>	SMA female
<b>Environment</b>	Space Qualified



Data subject to change without notice



MICROWAVE ENGINEERING CORPORATION

1551 OSGOOD STREET, NORTH ANDOVER, MA 01845 • TEL (978) 685-2776 • FAX (978) 975-4363

Website: [www.microwaveeng.com](http://www.microwaveeng.com), Email: [sales@microwaveeng.com](mailto:sales@microwaveeng.com)