

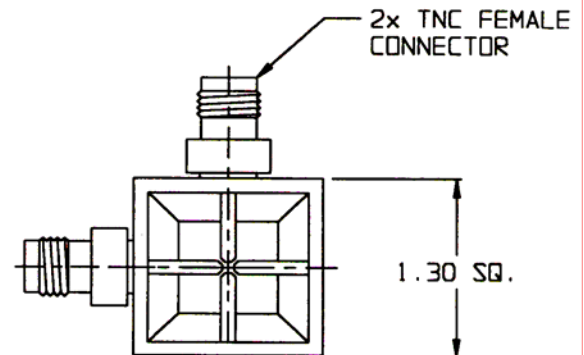
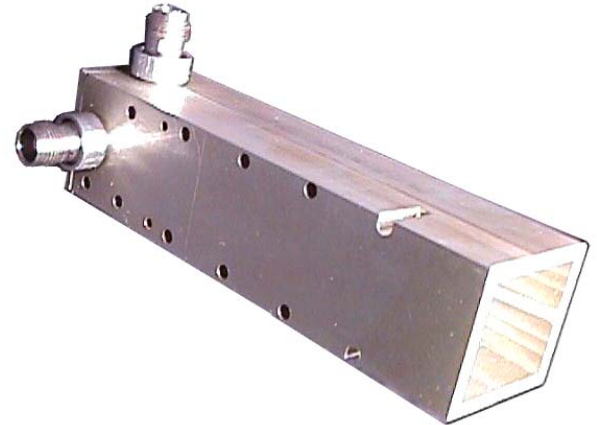
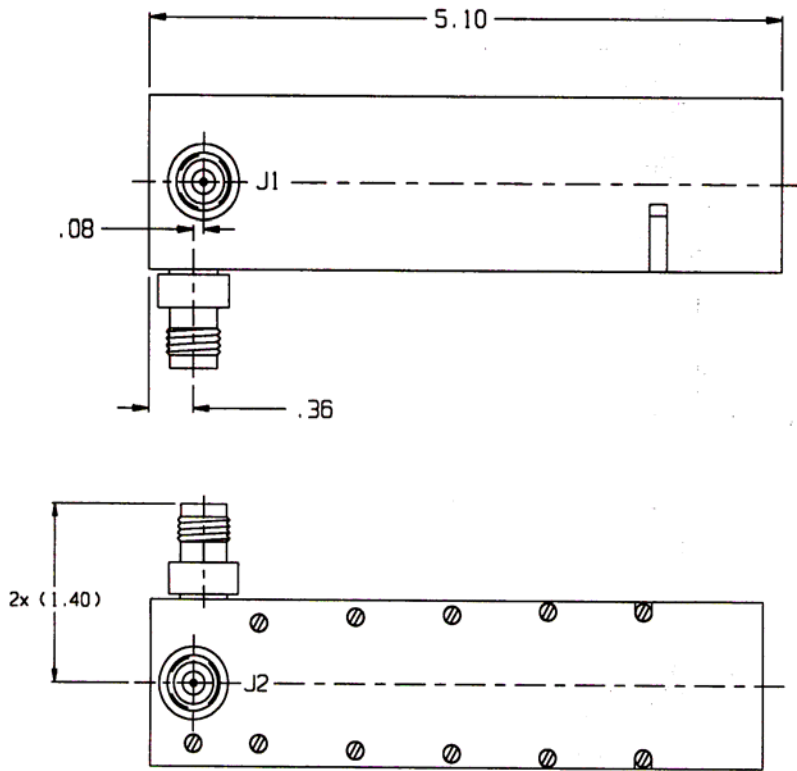


DUAL-POLARIZED HORN ANTENNAS C390-205

DATA
SHEET
No. T161

DESCRIPTION

MEC's model C390-205 is a 3:1 bandwidth broadband quad-ridge horn antenna operating from 6 to 18 GHz. The antenna which has dual-orthogonal input ports provides polarization diversity. The inputs are TNC female connectors. The antenna is capable of handling 200 Watts CW input power and 1 KW pulse.



SPECIFICATIONS:

Frequency	7.5 – 18 GHz
Gain	6 – 14 dBil
3-dB Beamwidth	80° - 30° E-plane
	74° - 38° H-plane
Polarization	Dual linear vertical / horizontal, or both
	Circular polarizable available with additional hybrid
VSWR	2.0:1 max.
Port-to-Port Amplitude Tracking	±0.5 dB
Port-to-Port Phase Tracking	±5°
Power Handling (per input)	200 Watts CW; 1 KW pulse, 20% duty cycle
Input Connectors	TNC female
Size	1.2"x1.2"x5" (WxHxL)

Data subject to change without notice



MICROWAVE ENGINEERING CORPORATION

1551 STREET, NORTH ANDOVER, MA 01845 • TEL (978) 685-2776 • FAX (978) 975-4363 • Website: www.microwaveeng.com • Email: sales@microwaveeng.com