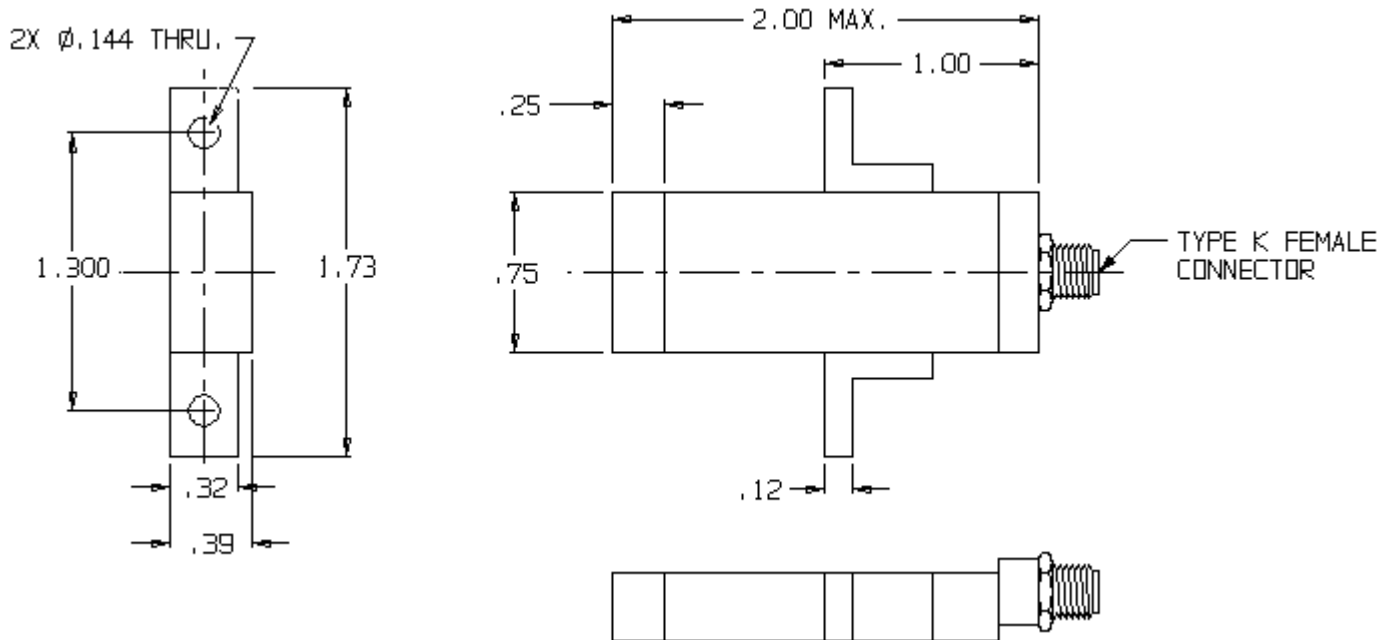




DF HORN ANTENNA C390-310

DATA
SHEET
No.T160

MEC model C390-310 is broadband sectoral horn design, which operates from 18 to 40 GHz. The antenna has an end launch K-connector, which minimizes the overall width of the antenna. This particular configuration makes it very suitable for interferometer array application where small distance between antenna elements is required. The antenna has a polarizer providing slant-linear polarization.



SPECIFICATIONS:

Frequency	18 - 40 GHz
Gain	10 dB nominal
Beamwidth	70° nominal in azimuth 50° nominal in elevation
Polarization	Slant-Linear
Maximum VSWR	2.5:1
Input Interface	K-female

