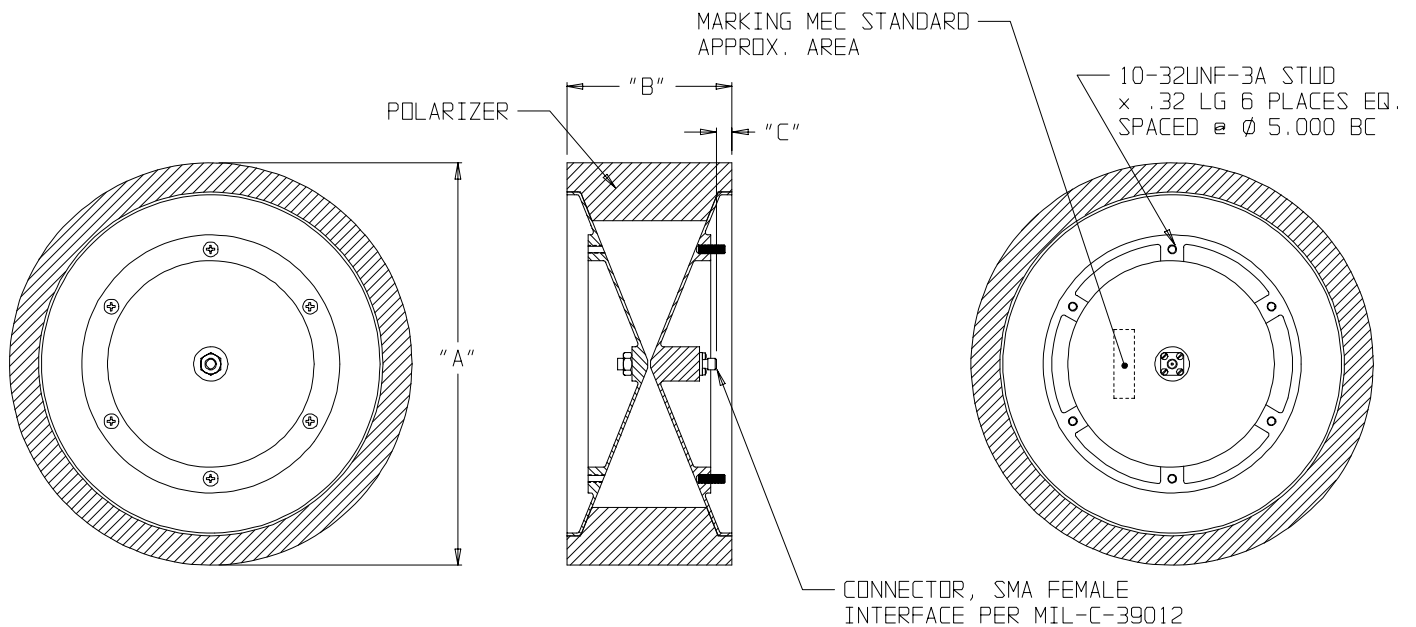




BICONICAL ANTENNAS (3080)

DATA
SHEET
No.T158



SPECIFICATIONS:

Model Number	3080	
Frequency	2-18 GHz	
Gain	0 to 8 dBiL	
3-dB Beamwidth	12° MIN	
CW Power	80 watts	
Polarization	SLANT 45° LINEAR	
Maximum VSWR	2:1	
Input Connector	SMA FEMALE	
Weight (Max)	1.5 Lb	
DIMENSIONS	"A"	8.77"
	"B"	3.60"
	"C"	0.34"

Data subject to change without notice



MICROWAVE ENGINEERING CORPORATION
1551 OSGOOD STREET, NORTH ANDOVER, MA 01845 • TEL (978) 685-2776 • FAX (978) 975-4363

Website: www.microwaveeng.com, Email: sales@microwaveeng.com