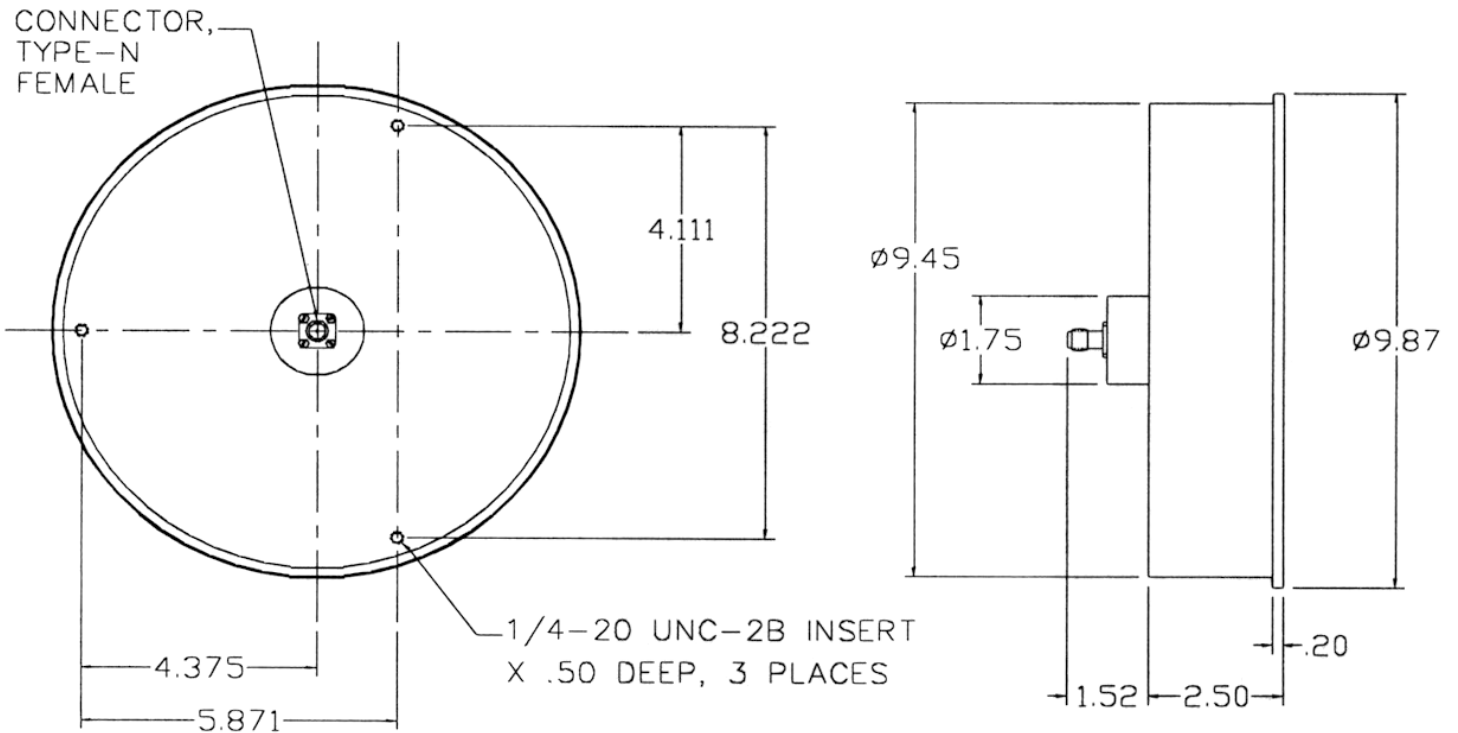




CAVITY BACKED SPIRAL ANTENNAS (2090)

DATA
SHEET
No.T145



SPECIFICATIONS:

| | |
|-------------------------------|-----------------------|
| Model Number | 2090 |
| Frequency | 0.5-2 GHz |
| Gain | -7 to 2 dBiL |
| Nominal 3-dB Beamwidth | 80 ° |
| Beam Squint | < 6 ° |
| CW Power | 10 watts |
| Polarization | RCP |
| Maximum Axial Ratio | 1.5 dB |
| Maximum VSWR | 2.0:1 |
| Input Connector | * See Notes: 1 |
| Weight (Max) | 1.1 lb |

Notes: 1. Please specify the connector type.

Data subject to change without notice

m.e.c

MICROWAVE ENGINEERING CORPORATION

1551 STREET, NORTH ANDOVER, MA 01845 • TEL (978) 685-2776 • FAX (978) 975-4363 • Website: www.microwaveeng.com • Email: sales@microwaveeng.com