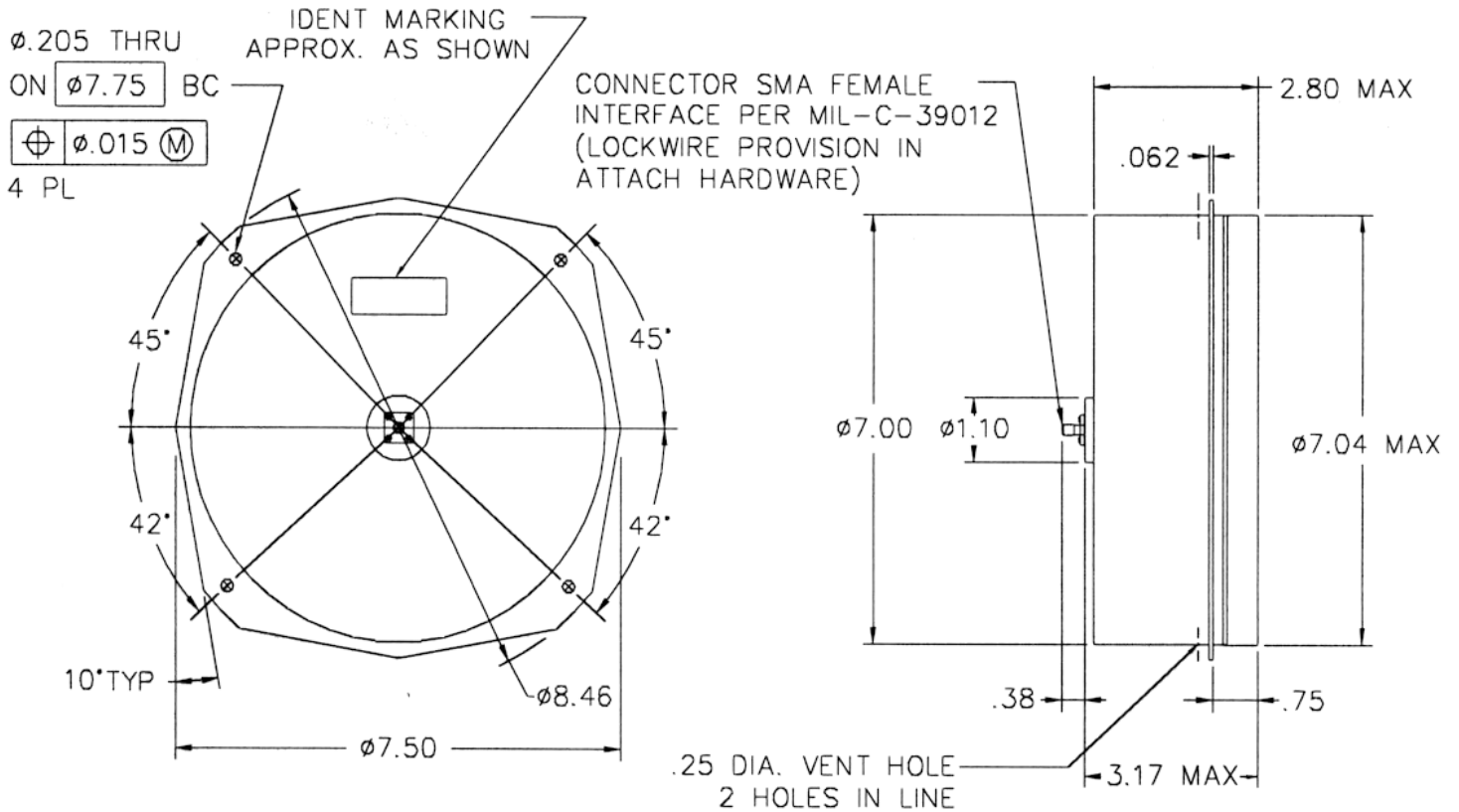




# CAVITY BACKED SPIRAL ANTENNAS (2040, 2040-1)

**DATA SHEET  
No.T144**



## SPECIFICATIONS:

<b>Model Numbers</b>	<b>2040, 2040-1</b>
<b>Frequency</b>	<b>0.5-2 GHz</b>
<b>Gain</b>	<b>-12 to 1 dBiL</b>
<b>Nominal 3-dB Beamwidth</b>	<b>80 °</b>
<b>Beam Squint</b>	<b>&lt; 6 °</b>
<b>CW Power</b>	<b>10 watts</b>
<b>Polarization</b>	<b>LCP</b>
<b>Maximum Axial Ratio</b>	<b>1.5 dB</b>
<b>Maximum VSWR</b>	<b>2.3:1</b>
<b>Input Connector</b>	<b>SMA</b>
<b>Weight (Max)</b>	<b>1 lb 6 oz</b>



**Note: Model 2040 has rain erosion resistant coating on radome, 2040-1 has no finish on radome.**