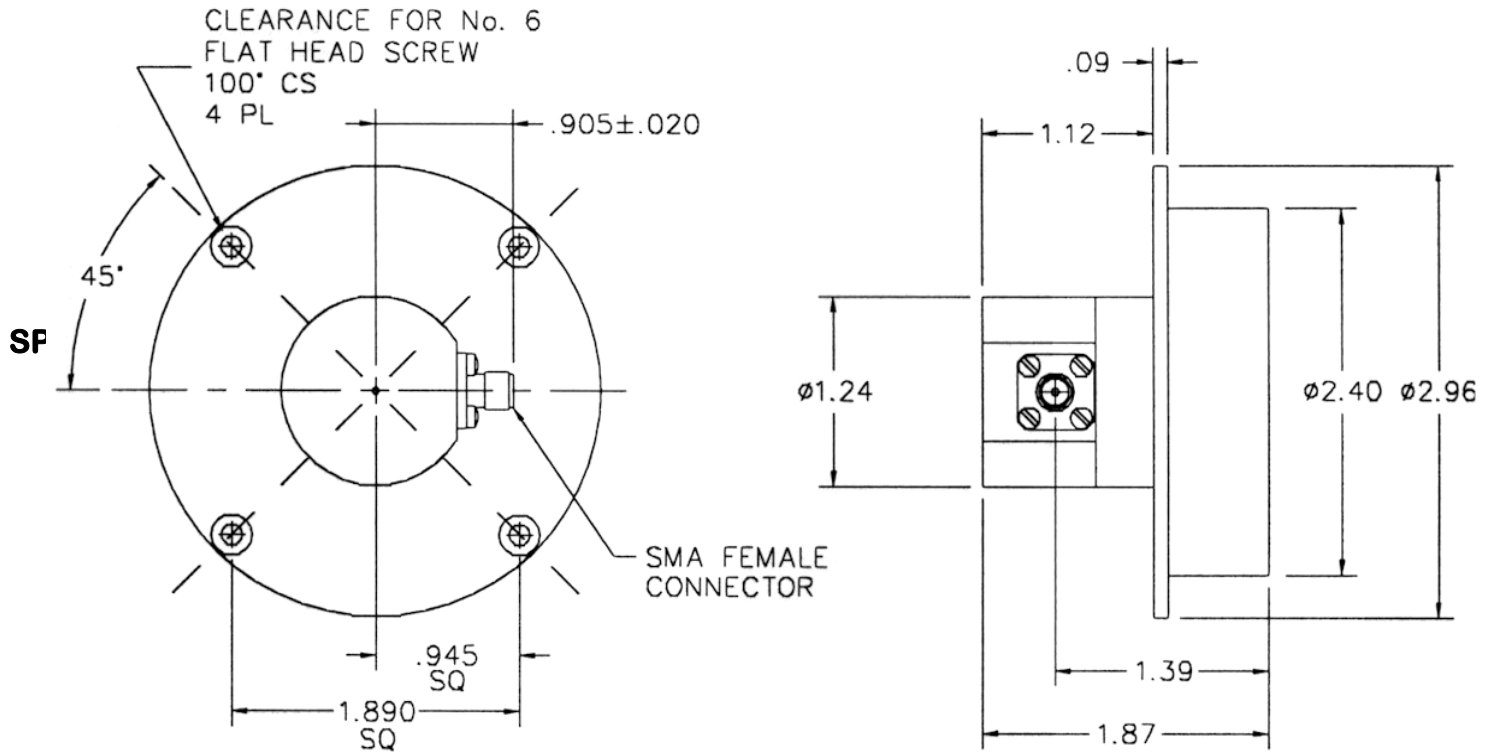




# CAVITY BACKED SPIRAL ANTENNAS (C390-227)

**DATA SHEET  
No.T143**



<b>Model Numbers</b>	<b>C390-227</b>
<b>Frequency</b>	<b>2-18 GHz</b>
<b>Gain</b>	<b>-6 to 2 dBiL</b>
<b>Nominal 3-dB Beamwidth</b>	<b>80 °</b>
<b>Beam Squint</b>	<b>&lt; 5 °</b>
<b>CW Power</b>	<b>5 watts</b>
<b>Polarization</b>	<b>LCP</b>
<b>Maximum Axial Ratio</b>	<b>2.0 dB</b>
<b>Maximum VSWR</b>	<b>2.5:1</b>
<b>Input Connector</b>	<b>SMA</b>
<b>Weight (Max)</b>	<b>5 oz</b>

