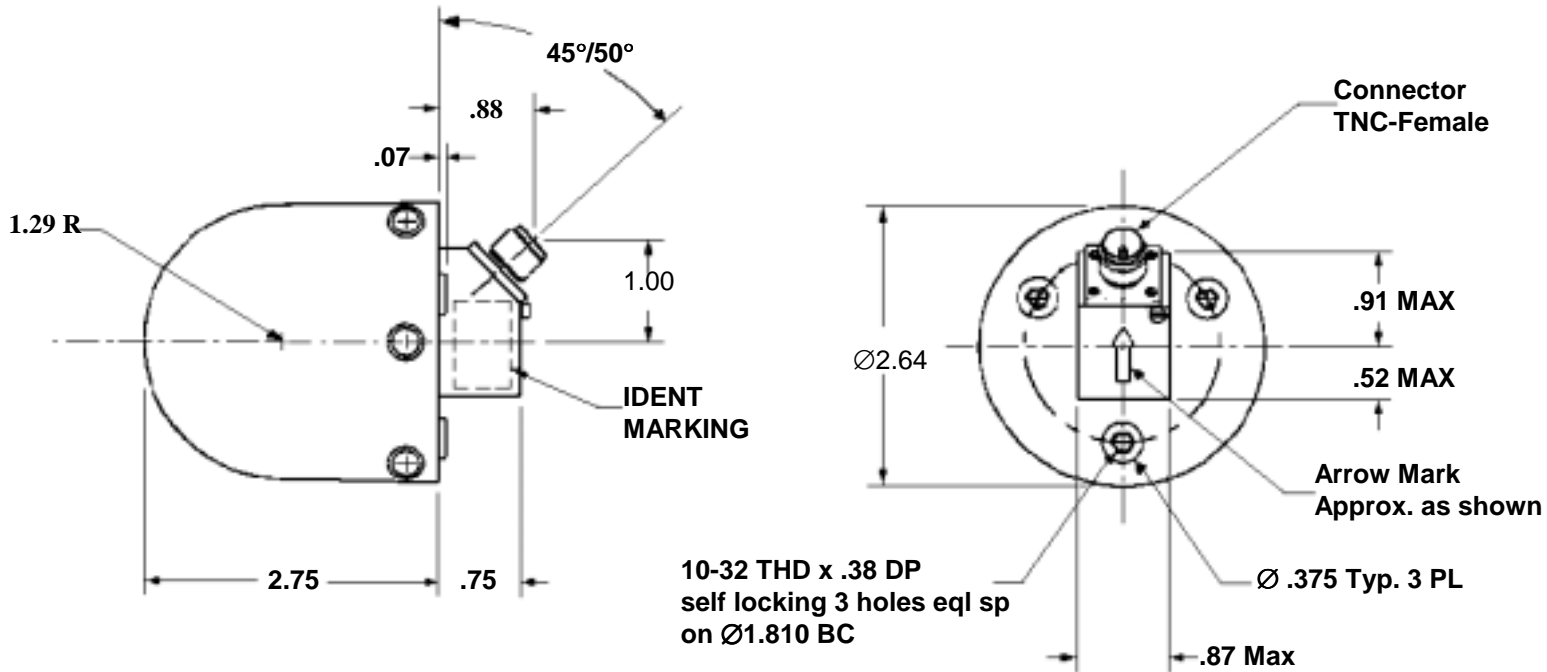




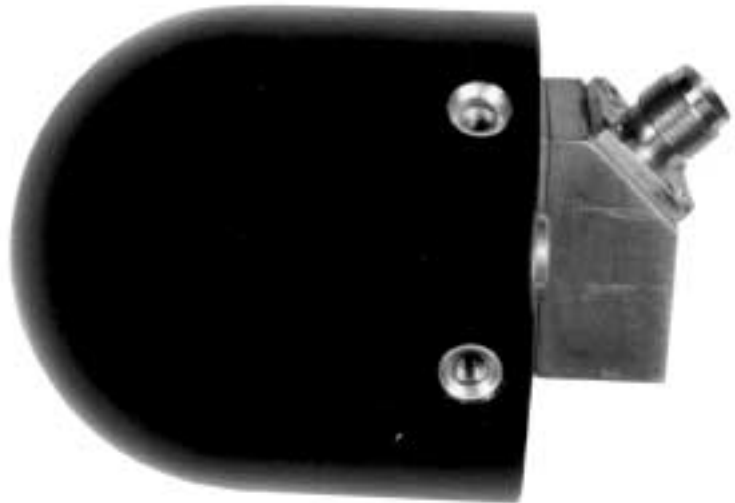
CAVITY BACKED SPIRAL ANTENNAS (2100)

DATA SHEET
No. T140



SPECIFICATIONS:

Model Number	2100
Frequency	2-18 GHz
Gain	-6 to 2 dBiL
Nominal 3-dB Beamwidth	80 °
Beam Squint	< 5 °
CW Power	5 watts
Polarization	RCP
Maximum Axial Ratio	2.0 dB
Maximum VSWR	2.3:1
Input Connector	TNC
Weight (Max)	10 oz



Data subject to change without notice



MICROWAVE ENGINEERING CORPORATION
1551 OSGOOD STREET, NORTH ANDOVER, MA 01845 • TEL (978) 685-2776 • FAX (978) 975-4363

Website: www.microwaveeng.com, Email: sales@microwaveeng.com