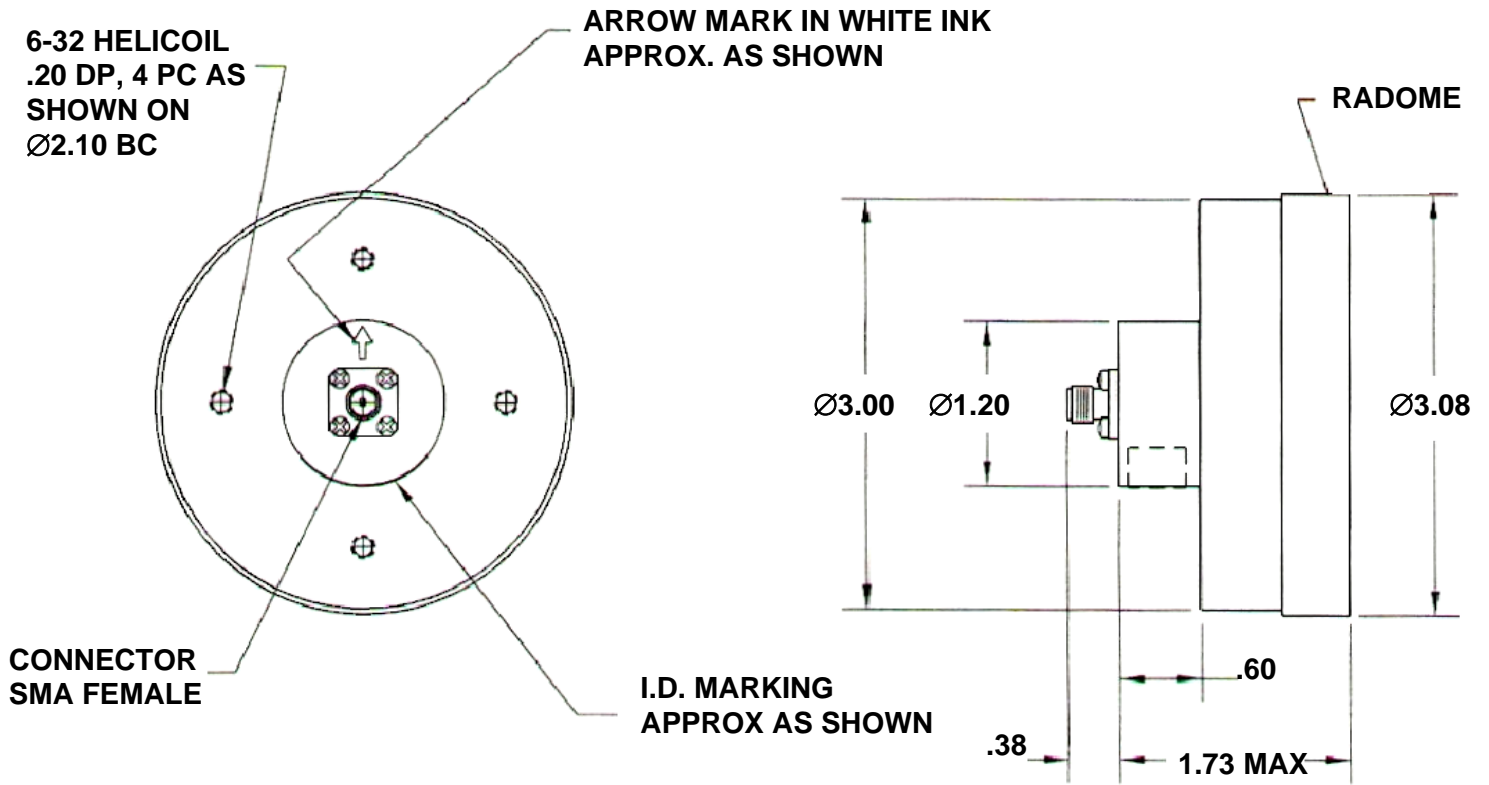




CAVITY BACKED SPIRAL ANTENNAS (2070)

DATA SHEET
No. T139



SPECIFICATIONS:

Model Number	2070
Frequency	2-18 GHz
Gain	-5.5 to 1 dBiL
Nominal 3-dB Beamwidth	80 °
Beam Squint	< 6 °
CW Power	5 watts
Polarization	LCP
Maximum Axial Ratio	1.5 dB
Maximum VSWR	2.0:1
Input Connector	SMA
Weight (Max)	7 oz

