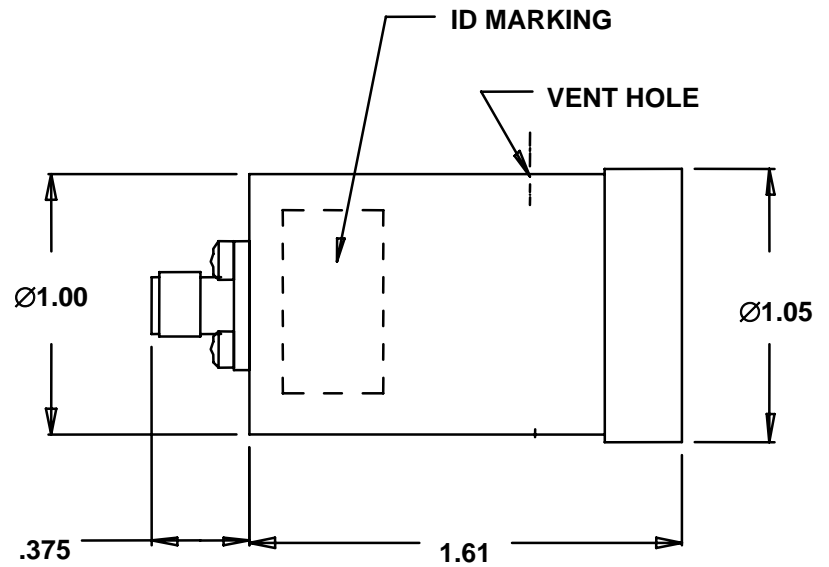
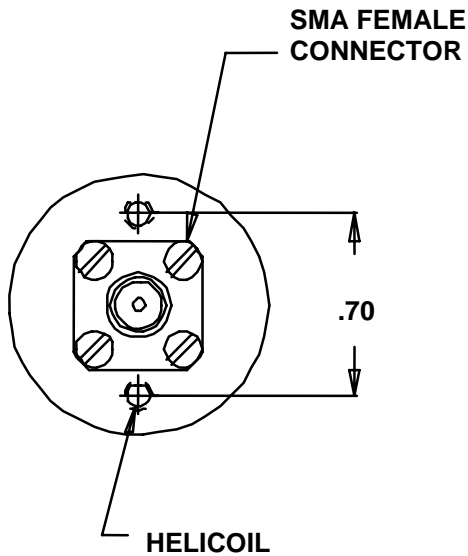




# CAVITY BACKED SPIRAL ANTENNAS (TT818)

DATA  
SHEET  
No. T137



## SPECIFICATIONS:

Model Number	TT818
Frequency	8-18 GHz
Gain	-2 to 2 dBiL
Nominal 3-dB Beamwidth	80 °
Beam Squint	< 6 °
CW Power	5 watts
Polarization	LCP
Maximum Axial Ratio	2.0 dB
Maximum VSWR	2.0:1
Input Connector	SMA
Weight (Max)	2 oz
Size	1" dia x 2" L
Environmental Specification	MIL-HDBK-5400

