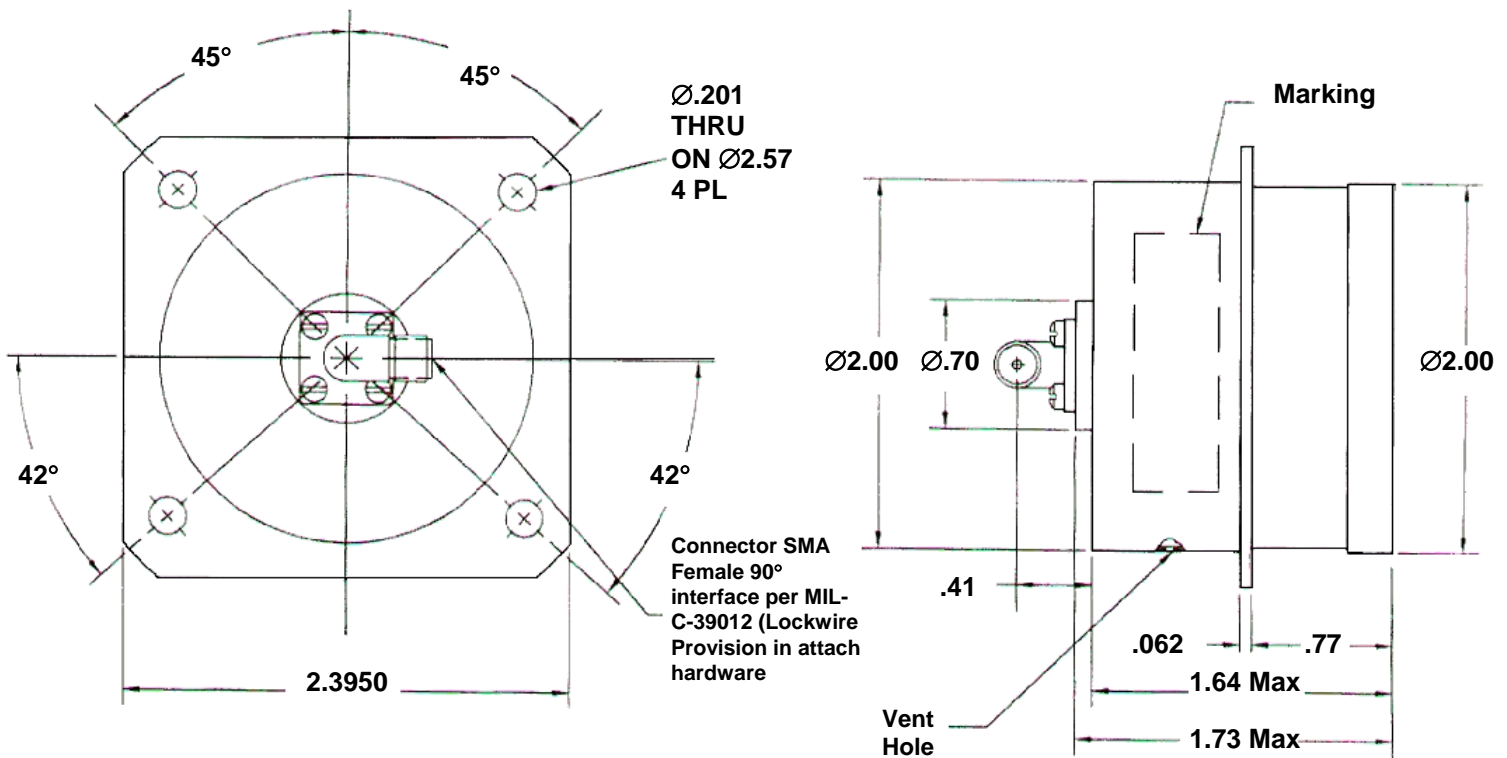




# CAVITY BACKED SPIRAL ANTENNAS (2010, 2010-1)

**DATA SHEET  
No.T136**



## SPECIFICATIONS:

<b>Model Number</b>	<b>2010</b>
<b>Frequency</b>	<b>2-18 GHz</b>
<b>Gain</b>	<b>-7 to 1 dBiL</b>
<b>Nominal 3-dB Beamwidth</b>	<b>80 °</b>
<b>Beam Squint</b>	<b>&lt; 6 °</b>
<b>CW Power</b>	<b>5 watts</b>
<b>Polarization</b>	<b>LCP</b>
<b>Maximum Axial Ratio</b>	<b>1.5 dB</b>
<b>Maximum VSWR</b>	<b>2.3:1</b>
<b>Input Connector</b>	<b>SMA</b>
<b>Weight (Max)</b>	<b>4 oz</b>

